

 **BLIZZARD**[®]
SNOWPLOWS





BLIZZARD **SNOWPLOWS**

Professional snowplowers recognize BLIZZARD snowplows for cutting-edge product innovation that delivers unmatched versatility, productivity and profitability. Products like the POWER PLOW® snowplow—the industry's first hydraulically-adjustable expandable-wing snowplow, and the exclusive SPEEDWING™ snowplow—the unique easy-to-use multi-position snowplow that automatically adjusts wing-angle for maximum plowing efficiency, distinguish Blizzard as the snowplow technology leader. Blizzard also builds a full line of high-performance heavy-duty and light-duty straight blade snowplows that fit a wide range of vehicles.

The BLIZZARD® POWER HITCH™ 2 mounting system uses snowplow hydraulics to secure the plow to your vehicle undercarriage with the simple flip of a switch. It's fast and effortless. The mount adaptor is easily removable from your vehicle to provide extra off-season ground clearance.

Here's how easy it is:

- First, **connect the electrical plugs** together.
- Next, **flip the switch** and the hitch arm engages the back of the snowplow into positive alignment with the vehicle undercarriage.
- Two spring pins secure the snowplow to the vehicle.



The exclusive BLIZZARD® SECURITY GUARD™ Anti-Theft System is a safe and secure way to electronically “lock” your snowplow while it is detached from the truck, providing a deterrent from theft or non-permitted use.

Unlike physical locks that can easily be cut or removed, the SECURITY GUARD Anti-Theft System electronically synchronizes your control and plow module. When activated, it disables the electronic control system and renders the plow inoperable to unauthorized users.

The SECURITY GUARD system is currently available on all POWER HITCH™ 2 snowplow models and provides a valuable tool that can be utilized at your discretion.



FLEETFLEX
ELECTRICAL SYSTEM

True Fleet Interchangeability. One Truck. One Control. Any Plow.

Common programmable controls with built-in SECURITY GUARD™ anti-theft system.

- Easy to operate
- Easier Installation
- Hand-held or joystick options
- Simple Wiring
- Increased reliability

Available on all POWER HITCH™ 2 snowplow models.

STORM SEEKER™

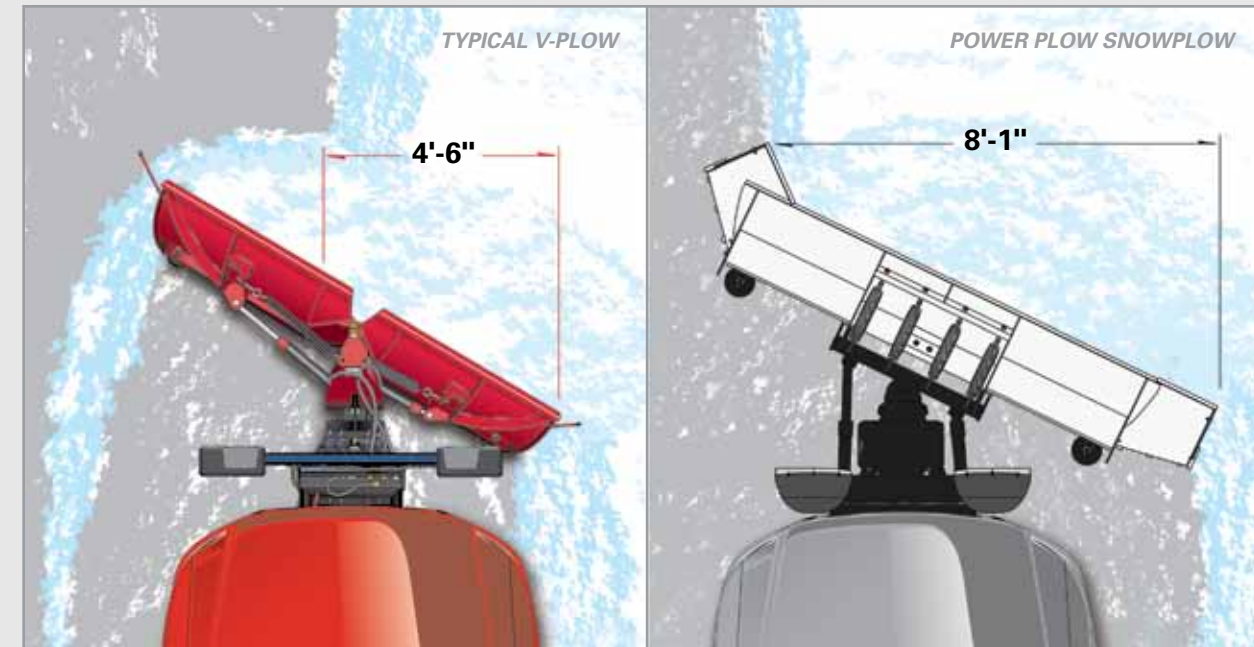
STORM SEEKER™ headlamps are designed and manufactured with the plowing professional in mind. They are built to withstand significant road vibration, ensuring a constant beam pattern and eliminating the need for re-aiming. You simply can't find better low-beam halogen illumination.

- **WATERTIGHT SEAL:** The lens is adhesive-bonded to the reflector, and the reflector is adhesive-bonded to the housing, sealing out water that could potentially freeze and damage the assembly.
- **REFLECTOR OPTICS:** The reflector optics provide a smooth, wide-beam pattern with minimal glare, especially during snowfall.
- **TWO-STUD MOUNTING:** The robust, two-stud mounting keeps the lamp in its original position, even when subjected to the harshest shock and vibration forces.
- **STANDARD ON MOST BLIZZARD SNOWPLOWS:** An available option on others.
- **LONG-LIFE BULB:** The long-life, H13 headlamp bulb has an average life of 1,500 hours, minimizing replacement over the life of the lamp.
- **QUICK & EASY BULB REPLACEMENT:** With a simple three-screw bulb access cover and twist-in headlamp bulb, replacement is quick and easy, on those rare occasions the bulb needs to be replaced.





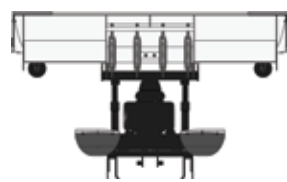
WINDROWING PERFORMANCE



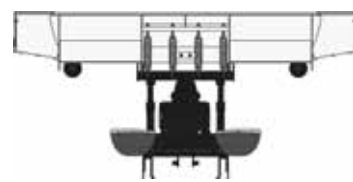
When angled for windrowing, the leading wing directs more snow into the moldboard to eliminate spill-off and effectively use the entire blade width on every pass.

Dimensions compare an 8'-2" V-Plow with a BLIZZARD Model 8100.

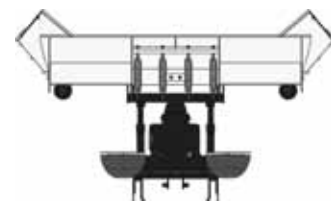
Choose from four primary wing positions:
Compact, WIDE PASS™, BUCKET BLADE™ (scoop),
 or **Windrow Position.**



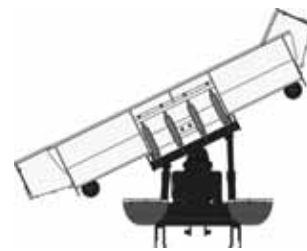
Compact
Straight Blade



WIDE PASS
Expanded Straight Blade



BUCKET BLADE
Scoop Mode



Windrow
Position

The BLIZZARD® POWER PLOW® snowplow is the original adjustable-wing snowplow that can hydraulically expand its moldboard width at the touch of a button to efficiently match any plowing situation.



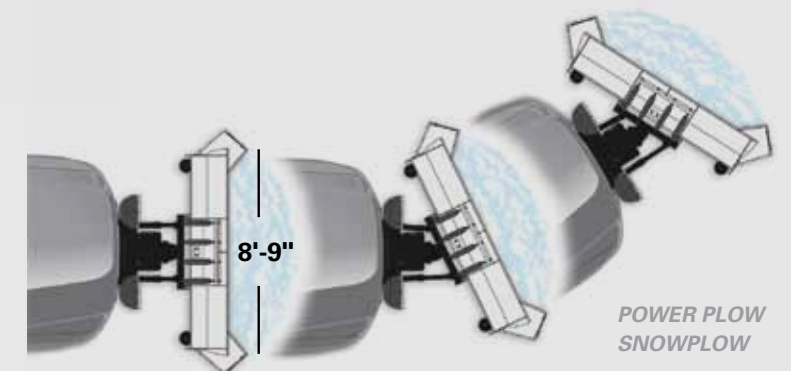
CORNERING

PERFORMANCE



In the scoop position, a V-plow is unable to angle, so snow spills off when cornering.

Unlike V-Plows, the POWER PLOW snowplow can fully angle in the scoop position to maintain a full load of snow when maneuvering around corners or obstacles.



POWER PLOW
SNOWPLOW

BLIZZARD® POWER PLOW® SPECIFICATIONS

	8100PP	8611PP	86110LP	810SS	8611SS
Blade Width (compact)	96" (8')	102" (8'-6")	102" (8'-6")	96" (8')	102" (8'-6")
Plow Width (WIDE PASS™)	120" (10')	132" (11')	132" (11')	120" (10')	132" (11')
Blade Width (BUCKET BLADE™)	105" (8'-9")	118" (9'-10")	118" (9'-10")	105" (8'-9")	118" (9'-10")
Blade Width at Full Angle*	87"/108"/99"	88"/117"/102"	88"/117"/102"	87"/108"/99"	93"/124"/103"
Blade Height	31"	34"	31"	31"	34"
Blade/Wing Thickness	12/11 Gauge	11/7 Gauge	12/11 Gauge	12/11 Gauge	11/7 Gauge
Blade Cutting Edge	½" x 6"	½" x 6"	½" x 6"	½" x 6"	½" x 6"
Wing Cutting Edge	¼" x 10"	⅜" x 12½"	¼" x 10"	¼" x 10"	⅜" x 12½"
Reinforcement Ribs	4 Vertical	4 Vertical	4 Vertical	4 Vertical	4 Vertical
Blade Torque Box	Yes	Yes	Yes	Yes	Yes
Trip Springs	4 Extension	6 Extension	6 Extension	4 Extension	6 Extension
Blade Shoes (adjustable)	Cast Steel	Cast Steel	Cast Steel	Cast Steel	Cast Steel
Hitch System	POWER HITCH™ 2	POWER HITCH	POWER HITCH 2	Universal	Universal
Plow Weight**	924 lb.	1,470 lb.	990 lb.	950 lb.	1,470 lb.
Vehicle Application	4x4 pickup trucks ¾ & 1 ton	Medium-duty trucks, 14,000 to 27,000 GVWR	Medium-duty trucks, 14,000 to 27,000 GVWR	Skid-steer models, 1,000 lb. min. lift capacity	Skid-steer models, 1,500 lb. min. lift capacity

*Blade width at full angle specification provided for compact, WIDE PASS, and BUCKET BLADE (scoop) positions respectively. **Plow weight does not include undercarriage or mount adaptor.



POWER GRIP™ hand-held control (shown) or compact joystick control available for models 8100PP and 86110LP.

Models 810ss and 8611ss for Skid-Steer Loaders

Powered by the skid-steer's standard auxiliary hydraulics, two POWER PLOW models are available for use with skid-steer loaders.



Model 8100PP shown

- **HYDRAULIC WING EXTENSIONS:** Each wing can be independently operated and positioned to maximize your plow blade width and carrying capacity. Wing cutting edge with curb wear end plate is standard.
- **SLIDE BOX CONSTRUCTION:** Both hydraulic wing extensions "slide" laterally. The reinforced torque box structural channel provides excellent torsional blade strength to prevent distortion under heavy loads.
- **HEAVY-DUTY A-FRAME CONSTRUCTION:** The backbone of our signature POWER HITCH™ System is built to withstand punishing conditions. Our rugged A-frame design supports the hydraulic system and secures the snowplow to the vehicle's undercarriage.
- **EXCLUSIVE POWER HITCH™ ATTACHMENT SYSTEM:** It's fast and easy.
- **CONTINUOUS-WELDED MOLDBOARD:** For added strength.
- **HEAVY-DUTY 1 ¾" x 11 ⅜" ANGLE CYLINDERS:** Are standard.
- **½" x 6" MOLDBOARD CUTTING EDGE:** Delivers a clean scrape.
- **SECURITY GUARD™ ANTI-THEFT SYSTEM:** Standard on models 8100PP and 86110LP. Helps prevent unauthorized use.
- **POWERCOAT BAKED-ON POWDER COAT PAINT FINISH:** Steel parts are shot-blasted, pre-washed, primed with a new epoxy primer and then powder-coated for a long-lasting high-gloss finish.
- **FULL-TRIP MOLDBOARD DESIGN:** Protects your vehicle and snowplow components when striking hidden obstacles.
- **SHIELDED HYDRAULIC COMPONENTS:** They're protected from the elements with a durable plastic cover and are low-mounted for unobstructed airflow to the vehicle's cooling system.

BLIZZARD
POWER PLOW®

At the touch of a button, the **BLIZZARD POWER PLOW** snowplow hydraulically transforms to perfectly match every condition, delivering time-saving performance at each jobsite.



BLIZZARD® SPEEDWING™ SNOWPLOW SPECIFICATIONS

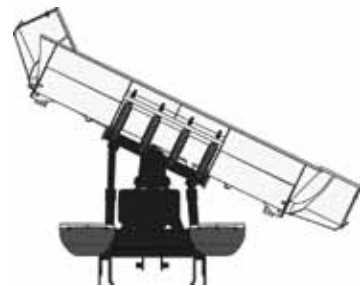


POWER GRIP™ hand-held control (shown) or compact joystick control available for model 8600sw.

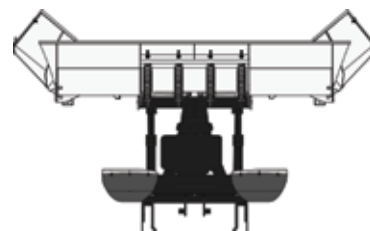
*Plow weight does not include undercarriage or mount adaptor.

	760sw	8600sw
Blade Width (Wings Forward)	91" (7'-7")	103" (8'-7")
Blade Width (Wings Pinned)	103" (8'-7")	117" (9'-9")
Plow Width (Full Angle)	79" (6'-7")	94" (7'-10")
Blade Height	25½"	29½"
Blade Thickness	12 Gauge	12 Gauge
Reinforcement Ribs	4 Vertical	4 Vertical
Blade Cutting Edge (1080)	¾" x 6"	½" x 6"
Blade Torque Box	Yes	Yes
Trip Springs	3 Extension	4 Extension
Blade Shoes (adjustable)	Cast Steel	Cast Steel
Hitch System	POWER HITCH™	POWER HITCH 2
Plow Weight*	596 lb.	810 lb.
Vehicle Application	4x4 pickup trucks ½ ton	4x4 pickup trucks ¾ & 1 ton

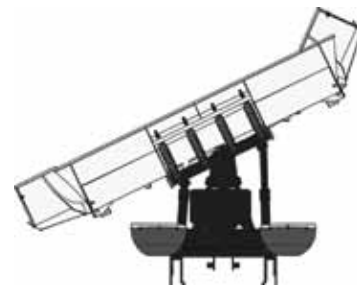
For straight-ahead plowing, both wings angle forward, automatically defaulting to the scoop position for maximum snow-pushing and stacking capacity. When angled for windrowing, the trailing wing folds back in line with the moldboard while the leading wing retains its forward position to capture more snow, reduce spill-off and allow you to use the entire blade.



Windrow Right Position



Scoop Position



Windrow Left Position



Model 8600sw shown

- **BLADE PINS:** Lock wings in straight position for back-dragging.
- **SECURITY GUARD™ ANTI-THEFT SYSTEM:** Standard on model 8600SW. Helps prevent unauthorized use.
- **HEAVY-DUTY 1 ¾" x 11 ¾" ANGLE CYLINDERS:** Are standard.
- **SOLID WELDED ¼" THICK MOLDBOARD REINFORCEMENT RIBS:** Provide unmatched strength and rigidity.
- **HEAVY DUTY COIL SPRINGS:** Absorb shock when striking curbs and manholes.
- **SHIELDED HYDRAULIC COMPONENTS:** They're protected from the elements with a durable plastic cover and are low-mounted for unobstructed airflow to the vehicle's cooling system.
- **POWERCOAT BAKED-ON POWDER COAT PAINT FINISH:** Steel parts are shot-blasted, pre-washed, primed with a new epoxy primer and then powder-coated for a long-lasting high-gloss finish.
- **EXCLUSIVE POWER HITCH ATTACHMENT SYSTEM:** It's fast and easy.

Blizzard Exclusive — SPEEDWING blade thinks for itself with wings that automatically angle forward or back, based on blade position, to maximize plowing efficiency. BLIZZARD SPEEDWING snowplow is the cost-effective multi-position snowplow that's as easy to use as a straight blade.



- **SPRING-LOADED MECHANICAL WING DESIGN:** Automatically positions wings for optimum plowing.
- **CONTINUOUS-WELDED MOLDBOARD:** For added strength.
- **TORQUE BOX CONSTRUCTION:** Provides unmatched anti-torsional strength to prevent blade twisting under severe plowing conditions.

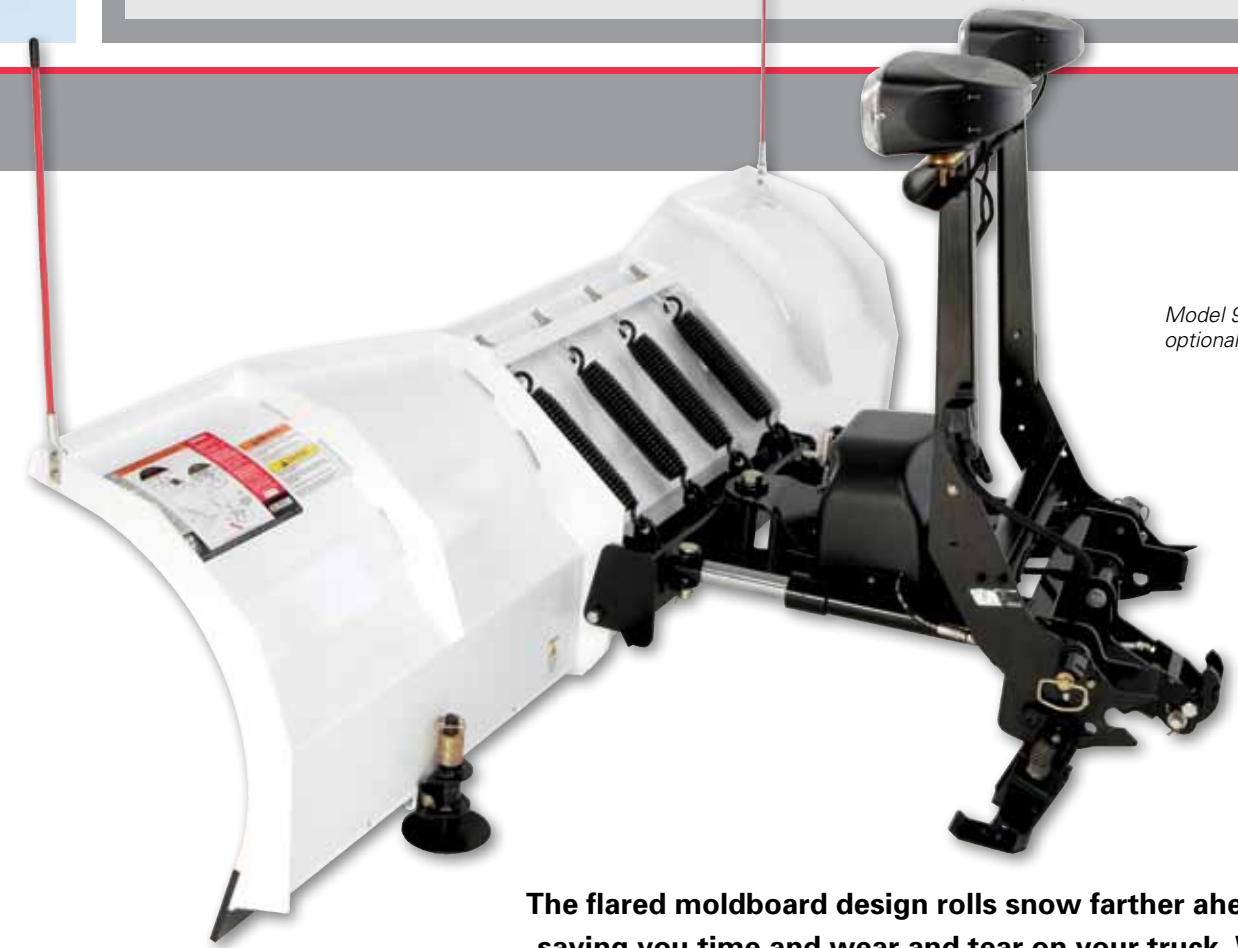


BLIZZARD® HD STRAIGHT BLADE SPECIFICATIONS

	7600HD	8000HD	8600HD	9000HD
Blade Width	90" (7'-6")	96" (8')	102" (8'-6")	108" (9')
Blade Width at Full Angle	81" (6'-9")	86" (7'-2")	91" (7'-7")	97" (8'-1")
Blade Height	31"	31"	31"	31"
Blade Thickness	12 Gauge	12 Gauge	12 Gauge	12 Gauge
Reinforcement Ribs	6 Vertical	6 Vertical	6 Vertical	6 Vertical
Blade Cutting Edge ⁽¹⁰⁸⁰⁾	½" x 6"	½" x 6"	½" x 6"	½" x 6"
Blade Torque Box	Yes	Yes	Yes	Yes
Trip Springs	4 Extension	4 Extension	4 Extension	4 Extension
Blade Shoes ^(optional)	Cast Iron	Cast Iron	Cast Iron	Cast Iron
Hitch System	POWER HITCH™ 2	POWER HITCH 2	POWER HITCH 2	POWER HITCH 2
Plow Weight*	667 lb.	684 lb.	701 lb.	718 lb.
Vehicle Application	4x4 pickup trucks ½ & ¾ ton	4x4 pickup trucks ¾ & 1 ton	4x4 pickup trucks ¾ & 1 ton	4x4 pickup trucks ¾ & 1 ton

*Plow weight does not include undercarriage or mount adaptor.

- **EQUIPPED WITH FLEET FLEX**
- **SOLID WELDED ¼" THICK MOLDBOARD WITH SIX REINFORCEMENT RIBS:** For added strength and performance.
- **HEAVY-DUTY A-FRAME CONSTRUCTION:** The backbone of our signature POWER HITCH 2 System is built to withstand punishing conditions. Our rugged A-frame design supports the hydraulic system and secures the snowplow to the vehicle's undercarriage.
- **HEAVY-DUTY 1 ¾" x 11 ¾" ANGLE CYLINDERS:** Are standard.
- **SHIELDED HYDRAULIC COMPONENTS:** They're protected from the elements with a durable plastic cover and are low-mounted for unobstructed airflow to the vehicle's cooling system.
- **FULL-TRIP MOLDBOARD DESIGN:** Heavy duty coil springs absorb shock when striking curbs and other obstructions.
- **FLARED MOLDBOARD DESIGN:** Rolls snow farther ahead and to the side — effectively moving snow faster to save fuel and reduce wear. Features continuous-welded moldboard for added strength.
- **POWERCOAT BAKED-ON POWDER COAT PAINT FINISH:** Steel parts are shot-blasted, pre-washed, primed with a new epoxy primer and then powder-coated for a long-lasting high-gloss finish.
- **POWER GRIP™ HAND-HELD CONTROL:** Provides easy, precise blade control. A joystick control is also available.
- **EXCLUSIVE POWER HITCH™ 2 ATTACHMENT SYSTEM:** It's fast and easy.
- **SECURITY GUARD™ ANTI-THEFT SYSTEM:** Standard on all HD Straight Blade models. Helps prevent unauthorized use.



Model 9000HD shown with optional blade shoes

BLIZZARD HD Straight Blades are built to deliver superior performance in the most demanding conditions. They're available in 7½-, 8-, 8½- and 9-foot widths.

BLIZZARD®
HD STRAIGHT BLADES

The flared moldboard design rolls snow farther ahead and to the side, saving you time and wear and tear on your truck. With an aggressive cutting edge angle, optimized blade curl, and our timesaving POWER HITCH 2 System, you've got one tough straight blade.



7600LT / 8000LT STRAIGHT BLADE SNOWPLOWS

*7½-foot & 8-foot Snowplows
Fit More Half-Ton Trucks*

Features include a flared moldboard for increased snow-rolling action; durable, continuous welded seams; a convenient light tower that removes with the snowplow; and an improved POWER HITCH™ 2 system.

Rugged 7½-foot and 8-foot straight blade snowplows are ideal for homeowners and light-commercial applications.



Model 7600LT shown with optional back drag edge

BLIZZARD
LT STRAIGHT BLADES

BLIZZARD® LT STRAIGHT BLADE SPECIFICATIONS

	7600LT	8000LT
Blade Width	90" (7'-6")	96" (8')
Plow Width at Full Angle	79" (6'-7")	84½" (7'-½")
Blade Height	29"	29"
Blade Thickness	14 Gauge	14 Gauge
Reinforcement Ribs	6 Vertical	6 Vertical
Blade Cutting Edge (1080)	¾" x 6"	¾" x 6"
Blade Torque Box	Yes	Yes
Trip Springs	2	2
Hitch System	POWER HITCH™ 2	POWER HITCH 2
Plow Weight*	465 lb.	476 lb.
Vehicle Application	4x4 pickup trucks ½ ton	4x4 pickup trucks ½ ton

*Plow weight does not include undercarriage or mount adaptor.

- **HEAVY-DUTY 1 ¾" x 11 ⅜" ANGLE CYLINDERS:** Are standard.
 - **FULL-TRIP MOLDBOARD:** Plow safer with our full-trip moldboard design. It protects your vehicle and snowplow components from damage when striking curbs or other obstacles.
 - **FLARED MOLDBOARD DESIGN:** Rolls snow farther ahead and to the side, effectively moving snow faster to save fuel and reduce wear. Features continuous-welded moldboard for added strength.
 - **TORQUE BOX CONSTRUCTION:** Provides unmatched anti-torsional strength to prevent blade twisting under severe plowing conditions.
 - **POWERCOAT BAKED-ON POWDER COAT PAINT FINISH:** Steel parts are shot-blasted, pre-washed, primed with a new epoxy primer and then powder-coated for a long-lasting high-gloss finish.
 - **POWER GRIP™ HAND-HELD CONTROL:** Provides easy, precise blade control. A joystick control is also available.
 - **OPTIONAL BACK DRAG EDGE:** For cleaner backdragging.
 - **EXCLUSIVE POWER HITCH™ 2 ATTACHMENT SYSTEM:** It's fast and easy.
 - **SECURITY GUARD™ ANTI-THEFT SYSTEM:** Helps prevent unauthorized use.
- **EQUIPPED WITH FLEET FLEX**
 - **SOLID WELDED 14 GAUGE MOLDBOARD WITH 6 REINFORCEMENT RIBS:** For added strength.
 - **¾" x 6" MOLDBOARD CUTTING EDGE:** Delivers a clean scrape.
 - **DURABLE A-FRAME CONSTRUCTION:** A-frames are built with high-strength channel steel and square tube. All attached snowplow components use quality plated hardware and hardened pins for corrosion resistance.
 - **SHIELDED HYDRAULIC COMPONENTS:** They're protected from the elements with a durable plastic cover and are low-mounted for unobstructed airflow to the vehicle's cooling system.

BLIZZARD® LT STRAIGHT BLADES FOR SUVs SPECIFICATIONS

	720LT	680LT
Blade Width	86" (7'-2")	80" (6'-8")
Plow Width at Full Angle	80" (6'-8")	74" (6'-2")
Blade Height	23½"	21½"
Blade Thickness	16 Gauge	16 Gauge
Reinforcement Ribs	4 Vertical	4 Vertical
Blade Cutting Edge (1080)	¼" x 5"	¼" x 5"
Blade Torque Box	Yes	Yes
Trip Springs	4 Extension	4 Extension
Blade Shoes (adjustable)	Steel	Steel
Hitch System	POWER HITCH™	POWER HITCH
Plow Weight*	370 lb.	355 lb.

*Plow weight does not include undercarriage or mount adaptor.



These blade models include a quick-connect light tower & low-profile halogen headlamps.



EMERGENCY PARTS KIT: Available for most models.



HIGH-PERFORMANCE HYDRAULIC FLUID: Formulated to provide better viscosity in all temperatures.



PAINT: Genuine factory-tough paints provide durable coverage and are mixed to match your original equipment.



SHOE KITS: Optional on HD models and 7600/8000LT. Standard on other models.



CURB GUARDS: For HD models.



BACK-DRAG EDGE: Available for 7600/8000LT and all HD models.



- CONTINUOUS WELDED 16 GAUGE MOLDBOARD WITH 4 REINFORCEMENT RIBS
- ¼" x 5" MOLDBOARD CUTTING EDGE
- DURABLE A-FRAME CONSTRUCTION
- FULL-TRIP MOLDBOARD
- FLARED MOLDBOARD DESIGN
- TORQUE BOX CONSTRUCTION
- COVERED HYDRAULIC SYSTEM
- POWERCOAT BAKED-ON POWDER-COAT PAINT FINISH WITH NEW EPOXY PRIMER



RUBBER SNOW DEFLECTOR: Available for 7600LT, all HD models, all POWER PLOW® models and 8½' SPEEDWING™.



AIRFOIL: Available for all HD models, 8600 SPEEDWING and 8611 POWER PLOW.



POLAR EDGE™ POLYURETHANE CUTTING EDGE: Available for all POWER PLOW models.

BLIZZARD®
LT STRAIGHT BLADES

Our two smallest straight blades, Models 720LT and 680LT, are engineered for compact pickup trucks and SUVs. Each light-weight blade is built solid for unmatched plowing performance and exceptional durability in its class. Mounts are also available for select utility vehicles.

BLIZZARD®
SNOWPLOWS

Keep your plow operating at its optimum performance with genuine BLIZZARD parts and accessories.

Accessory availability varies by model.



P.O. BOX 245038, Milwaukee, WI 53224-9538

www.blizzardplows.com



Blizzard reserves the right under its product improvement policy to change construction or design details and furnish equipment when so altered without reference to illustrations or specifications used. Blizzard or the vehicle manufacturer may require or recommend optional equipment for snow removal. Do not exceed vehicle ratings with a snowplow. This product is manufactured under the following U.S. patents 4,999,935; 5,420,480; 5,638,618; 5,899,007; 6,178,669; 6,253,470; 6,276,076; 6,393,737; 6,408,549; 6,412,199; 6,442,877; 6,615,513; 7,134,227; 7,737,576; CAN patents 2,060,425; 2,184,922; 2,229,783; 2,259,508; 2,358,145; 2,358,354; 2,446,195; and other patents pending. Blizzard offers a limited warranty for all snowplows and accessories. See separately printed page for this important information. The following are registered (®) or unregistered (™) trademarks of Douglas Dynamics, L.L.C.; BLIZZARD®, BLIZZARD POWER PLOW®, BUCKET BLADE™, POWER HITCH™, POWER GRIP™, POWER PLOW®, SECURITY GUARD™, SPEEDWING™, STORM SEEKER™, WIDE PASS™.